

Classic Triangular sign with interchangeable variant

Product Details

Signface constructed from reinforced PVC with a reflective coating protected by a clear PVC top layer. Sign symbol printed on the inside of the clear PVC top layer and therefore also protected.

Shackle at top of tripod locks front legs open and keeps the signface taut.

Weight hook on back leg of tripod for hanging ballast if conditions are volatile and additional stability is required.

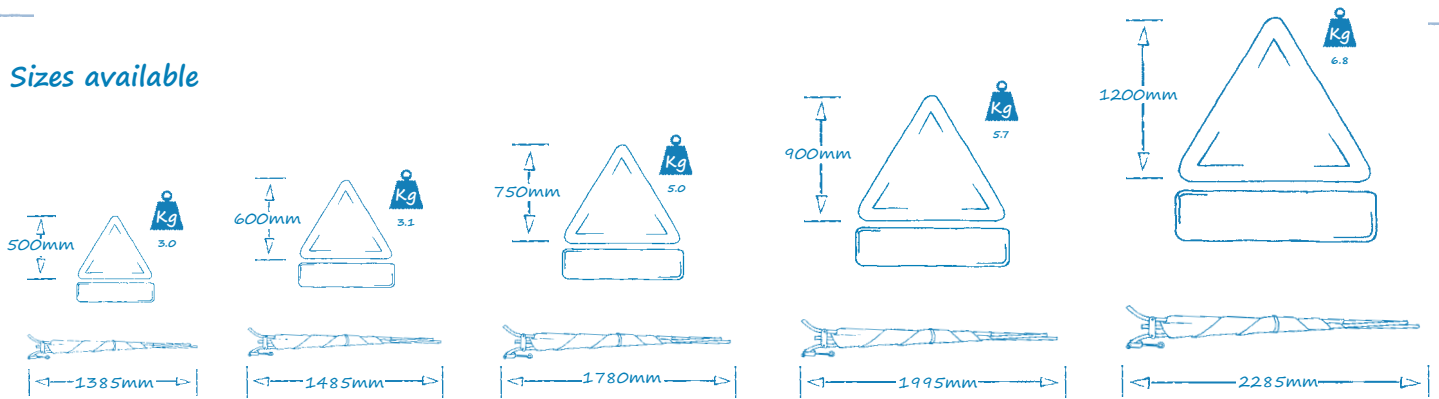
All metalwork is heavy duty bright zinc plated to prevent corrosion.

Ground clearance of 300mm as specified by UK road sign legislation.

Press stud strap holds signface neatly rolled-up when in storage or transportation. Includes product information such as sign diagram, size and class of reflectivity (standard UK spec product only).

Grey PVC blackcloth is extended and 6 rust-proof press-studs positioned to enable easy fixing of interchangeable supplementary texts or 'variants'.

Sizes available



Optional extras

Lamp brackets.

Reinforced PVC sign storage & transportation options: container bags for up to 3 signs, or sign sleeves for individual signs.

Environmentally friendly weight constructed using blocks of recycled truck tyres.

Permanent, welded corporate ID tag.

Kit bags produced from tough, durable PU Nylon with webbing handles and full length zip. Ideal for storage and transportation of up to 8 signs.

Heavy duty PVC sandbag features a watertight cap.

For sizes and extras not available online please contact us for a quotation.